

New | Hot

ALPHA 2000

ALPHA LITE 7 Color LED Fresnel Spot Light Data Sheet

Fixture Information

The a7c series is the 3rd generation of LED lighting with a new light source/optical solution for lighting control and an innovative operation interface. It is a package lighting composed of LED spot / LED panel with 6 Color + 2 White

ultra-high-capacity LED engine and ALPHA LITE's unique 'a Algorithm'. Overcome the limits of the color expression gamut and color temperature range that existing White lighting and RGB lighting,

it became possible to expression for Moonlight from Daylight-focused lighting, perfect color expression, and strong brightness at the same time.



ALPHA SEVEN COLOR Series

- CRI / TLCI Up to 99.5%
- 2,000~35,000K Color temperature variable
- Color correction function to adjust the emotional feeling and color of halogen lighting

Optional Accessories

- Manual yoke
- Pole operation yoke
- Power cable
- DMX cable
- Safety chain
- 4 leaf barndoor
- Filter frame
- Clamp
- Soft box
- Jeball

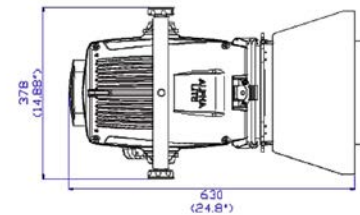
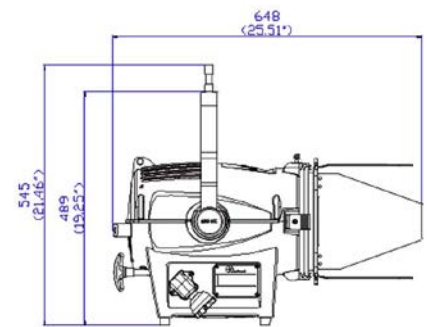
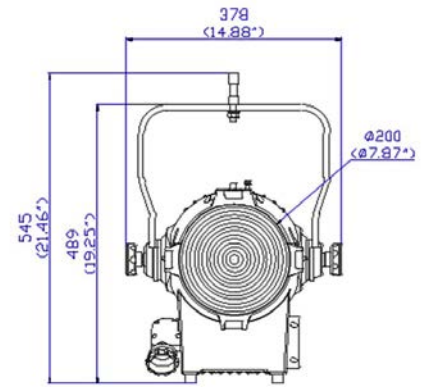
- UHD Quality**
Ultra HD Lighting Quality
- Halogen Alternative**
Halogen Alternative
- KG**
No Heavy Weight
- CRI 95+**
High CRI True Color
- TCRI 95+**
High TLCI True Color
- Flicker Free**
Flicker Free
- Smart Touch Control**
Smart Touch Control
- Upgrade**
USB Firmware Upgrade
- Long LED Lifetime**
Long LED Lifetime
- Variety Color Representation**
Variety Color Representation



Specifications

LED Chip Type	1100W 6 Color + 2 White LED engine
Estimated LED Lifetime (hours)	50,000
White Light (K)	2,000-35,000 (VCT/FCT)
Full Color Light	Full RGB + Amber + Lime + Cyan + Warm White + Cool White (7Color Gamut with Hue and Saturation Control)
Color Rendition (%)	CRI 95-99.5 / TLCI 95-99.5
Dimming (%)	0-100 (16-bit)
Lens Diameter (mm/inch)	200 / 7.9
Beam Angle (°)	15-55
Signal Control	5-Pin DMX In and Out
Individual Control	Smart Touch LCD Controller
Supported Protocol	DMX512 / RDM
(Optional) Supported Protocol	DMX512 Wireless / RDM Wireless
Remote Device Management	Supported
Channel Function	Dimming / CCT / Tint / RGBALC / Cross Fader / Color Macro / Strobe
Power Input Voltage	AC 100-240V / 50-60Hz
Power Consumption (W)	450
Ambient Temperature Operation (°C)	-20-45
Body Dimensions (mm/inch) (WHD)	287 x 357 x 415 / 11.3 x 14.1 x 16.3
Full Dimensions with Manual Yoke (mm/inch) (WHD)	378 x 545 x 415 / 14.9 x 21.5 x 16.3
Body Weight (kg/lbs)	8.7 / 19.2
Full Weight with Manual Yoke (kg/lbs)	10 / 22
Protection Class	IP20

Dimension



Photometric Diagram

ALPHA 2000	Distance	Value	illuminance
5600K	3m (50°)	1910	Lux
	5m (50°)	700	Lux
	7m (50°)	335	Lux
	9m (50°)	177	Lux

